



TABLE OF CONTENTS

PONDMASTER

■ Magnetic Drive Pumps	5-10
■ Waterfall and Skimmer Pumps	10
■ Hy-Drive Pumps	11
■ External Pumps	12
■ Ultraviolet Clarifiers	13
■ Pressurized Filter Systems.....	14-15
■ Filtration	16
■ Pond Kits.....	17
■ Replacement Filter Media	18
■ Pond Accessories - Tubing, Liners and Underlayment	19
■ Pond Accessories - Fountain Heads and Lighting	20
■ Pond Accessories - Air Pumps, Pond Heaters and Pond Netting	21
■ Water Treatments	22
■ Fish Food.....	23
■ Ground Fault Interrupter	23
■ Fittings.....	24
■ Ball Valves and Replacement Impellers	25
■ Pumping Flow Versus Pumping Height Chart	28
■ Pump Data Chart	29

PROLINE

■ About ProLine	30
■ Pro Skimmers	31
■ Pro Biological Filter and Falls	32
■ Pro 4800 Pump Vault.....	33
■ Pre-Assorted Pond Kits	34



PONDMASTER®

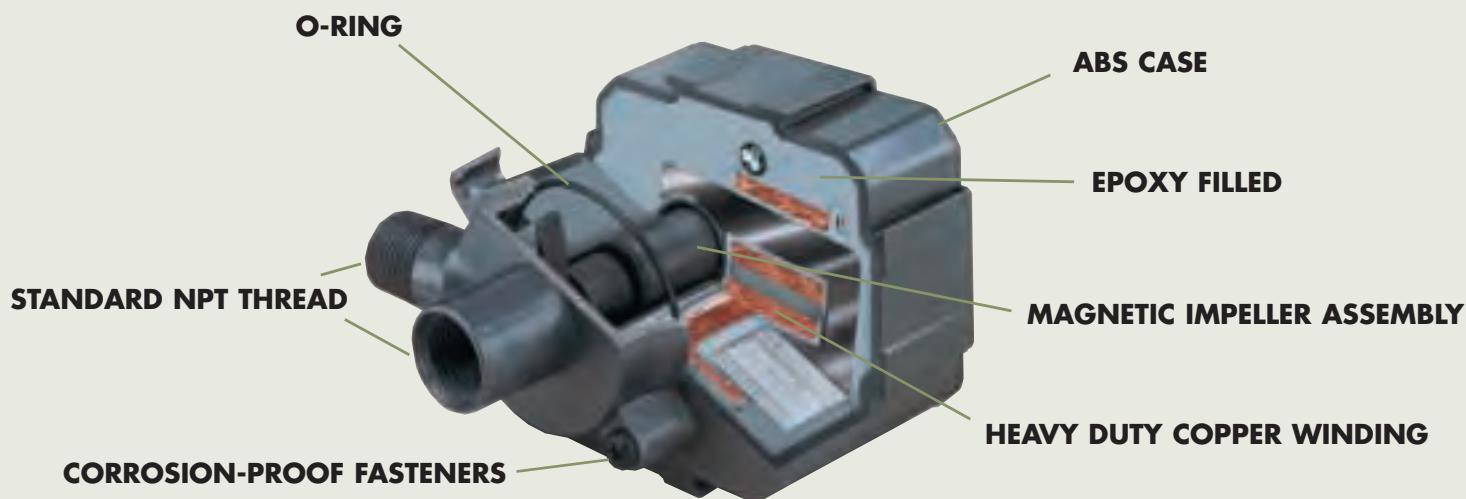


Pondmaster Pond Products From a large free-form outdoor pond to an intimate patio tub garden to a unique indoor waterscape, the beauty of exotic water plants, colorful swimming fish, the delightful rush of moving water, can be created as large or as small as you like, through the use of a flexible liner or pre-formed shell. Fountain heads add a pleasing focal point. Aeration and filtration help support plant and fish life. Let Pondmaster expand your water gardening horizons.

ProLine™ By **PONDMASTER®**

As water gardening has become more sophisticated, so has the need for larger, more complex pond pumps and filtration. To answer this demand, we have developed an array of products designed for the professional installer - and we call them ProLine. See page 30 of this catalog.

THE ANATOMY OF A MAGNETICALLY DRIVEN PUMP



MAGNETIC-DRIVE UTILITY PUMPS

Magnetic drive pumps are made to run continuously, without seals to wear out. Highly energy efficient, the savings pass on to the consumer. Being filled with epoxy, not oil, they cannot leak oil into the pond. All Pondmaster pumps are suitable for statuary, fountains, ponds, and/or aquariums. UL listed to U.S. and Canadian safety standards.

Item# 02501 - Mini Pump 35

Suitable for table top fountains

- 35 gph maximum flow with a 2' shut-off
- Built-in adjustable flow control
- 6' grounded power cord
- One year limited warranty
- Packed 4 per master



02501

Item# 02510 - Mini Pump 75

Suitable for table top fountains

- 75 gph maximum flow with a 2'6" shut-off
- Built-in adjustable flow control
- 6' grounded power cord
- One year limited warranty
- Packed 4 per master



02510

MAGNETIC-DRIVE UTILITY PUMPS

Item# 02520 - MD 1

Suitable for small garden fountains, piped statuary, and shallow water conditions

- 80 gph maximum flow with a 2'6" shut-off
- 6' grounded power cord
- Can be used in a horizontal or vertical position
- Built-in adjustable flow control
- Foam pre-filter included
- One year limited warranty
- Packed 4 per master



02520

Item# 02521 - MD 1.5

Suitable for small garden fountains, piped statuary, small tub ponds, and shallow water conditions

- 140 gph maximum flow with a 6' shut-off
- 6' grounded power cord
- Can be used in a horizontal or vertical position
- Built-in adjustable flow control
- Foam pre-filter included
- One year limited warranty
- Packed 4 per master



02519

Item# 02519 - MD 1.9

Suitable for small to medium size garden fountains, piped statuary, and ponds

- 190 gph maximum flow with a 7' shut-off
- 10' grounded power cord
- Can be used in a horizontal or vertical position
- Built-in adjustable flow control
- Ceramic shaft
- Foam pre-filter included
- Elbow included
- Three year limited warranty
- Packed 4 per master



Item# 02512 - MD 2/Item# 02522- PM 2

Suitable for small to medium garden fountains, piped statuary, and ponds

- 250 gph maximum flow with a 7' shut-off
- Ceramic shaft
- Foam prefilter included
- Operates submerged or in-line
- Three year limited warranty
- Packed 6 per master
- MD 2 - 10' grounded power cord
- PM 2 - 18' grounded power cord



02512



MAGNETIC-DRIVE UTILITY PUMPS

Item# 02513 - MD 3/Item# 02523 - PM 3

Suitable for medium garden fountains,
piped statuary, and ponds

- 350 gph maximum flow with a 10'6" shut-off
- Ceramic shaft
- Foam prefilter include
- Operates submerged or in-line
- Three year limited warranty
- Packed 6 per master
- MD 3 - 10' grounded power cord
- PM 3 - 18' grounded power cord



02513

Item# 02515 - MD 5/Item# 02525 - PM 5

Suitable for medium garden fountains,
piped statuary, and ponds

- 500 gph maximum flow with a 10'6" shut-off
- Ceramic shaft
- Foam prefilter included
- Operates submerged or in-line
- Three year limited warranty
- Packed 6 per master
- MD 5 - 10' grounded power cord
- PM 5 - 18' grounded power cord



02710

Item# 02517 - MD 7/Item# 02527 - PM 7

Suitable for medium to large garden fountains,
piped statuary, and ponds

- 700 gph maximum flow with a 11'8" shut-off
- Ceramic shaft
- Foam prefilter included
- Operates submerged or in-line
- Three year limited warranty
- Packed 6 per master
- MD 7 - 10' grounded power cord
- PM 7 - 18' grounded power cord

Item# 02710 - MD 9.5/Item# 02720 - PM 9.5

Suitable for large garden fountains,
piped statuary, and ponds

- 950 gph maximum flow with a 12'10" shut-off
- Ceramic shaft
- Foam pre-filter included
- Operates submerged or in-line
- Three year limited warranty
- Packed 2 per master
- MD 9.5 - 10' grounded power cord
- PM 9.5 - 18' grounded power cord



02710 Shown with pre-filter

MAGNETIC-DRIVE UTILITY PUMPS

Item# 02712 - MD 12/Item# 02722 - PM 12

Suitable for large garden fountains, piped statuary, and ponds

- 1200 gph maximum flow with a 13'6" shut-off
- Ceramic shaft
- Foam pre-filter included
- Operates submerged or in-line
- Three year limited warranty
- Packed 2 per master
- MD 12 - 10' grounded power cord
- PM 12 - 18' grounded power cord

Item# 02718 - MD 18/Item# 02728 - PM 18

Suitable for large to extra large garden fountains, piped statuary, and ponds

- 1800 gph maximum flow with a 15'6" shut-off
- Ceramic shaft
- Foam pre-filter included
- Operates submerged or in-line
- Three year limited warranty
- Packed 2 per master
- MD 18 - 10' grounded power cord
- PM 18 - 18' grounded power cord

Item# 02740 - MD 24/Item# 02750 - PM 24

Suitable for large to extra large garden fountains, piped statuary, and ponds

- 2400 gph maximum flow with a 20' shut-off
- Energy efficient
- Ceramic shaft
- Filled with epoxy, not oil
- Pre-filter included
- 1 inch threaded inlet/outlet
- Operates submerged or in-line
- Three year limited warranty
- Packed 2 per master
- MD 24 - 10' grounded power cord
- PM 24 - 18' grounded power cord

Item# 02745 - MD 36 Pump with Pre-Filter Item# 02755 - PM 36 Pump with Pre-Filter

Provides sustained flow at high head pressure, or longer pipe runs

- 3600 gph maximum flow with a 18'4" shut-off
- Energy efficient, uses only 3 amps, 380 watts
- Ceramic shaft
- Filled with epoxy, not oil
- Pre-filter included
- 1 inch threaded inlet/outlet
- Operates submerged or in-line
- Three year limited warranty
- Packed 2 per master
- MD 36 - 10' grounded power cord
- PM 36 - 18' grounded power cord

Item# 12785 - Washable Pre-Filter

Available separately, fits 950-3600 gph pumps

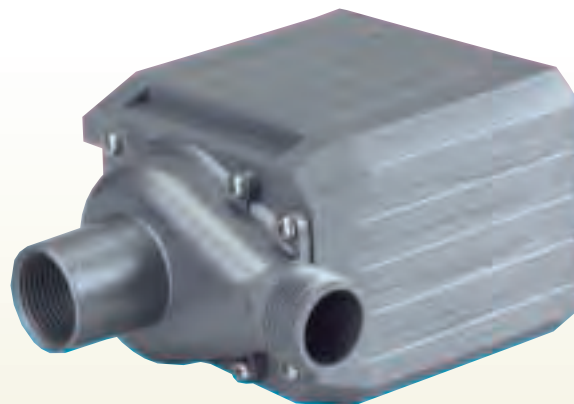
- Packed 6 per master



Washable Pre-Filter



02722



02755

MAGNETIC-DRIVE UTILITY PUMPS

Replacement Pumps for Statuary and Fountains, with Retail Packaging

Mid-range pumps with flow control and filter screen

- Packed 6 per master, retail clamshell packaging
- 4 color stackable or nestable clamshell
- 18' grounded power cord
- Patented technology
- High head height pumping capability
- Non clogging built in plastic pre-filter
- Compact to fit into statue bases
- Energy efficient and quiet
- Built in flow control
- One year limited warranty

Item# 02620

- 75 gph maximum flow with a 2'6" shut-off
- Maximum wattage 3

Item# 02621

- 110 gph maximum flow with a 4'6" shut-off
- Maximum wattage 12

Item# 02622

- 150 gph maximum flow with a 6' shut-off
- Maximum wattage 12

Item# 02615

- 260 gph maximum flow with a 7' shut-off
- Maximum wattage/amps 25/.38

Item# 02616

- 375 gph maximum flow with an 11' shut-off
- Maximum wattage/amps 38/.83

Item# 02617

- 515 gph maximum flow with an 11' shut-off
- Maximum wattage/amps 48/.89

Item# 02618

- 750 gph maximum flow with a 12.5' shut-off
- Maximum wattage/amps 70/1.3



5000 MAGNETIC-DRIVE UTILITY PUMP

Submersible High Volume Pump. The Pondmaster 5000 pump uses magnetic drive technology, is epoxy-filled (no oil) and employs a ceramic shaft. The pumps also feature an ABS case, corrosion-proof fasteners, and heavy duty copper windings, resulting in a durable, energy-efficient, and long lasting product. UL listed to U.S. and Canadian safety standards. Three year limited warranty.

Item# 02760 - 5000 GPH Magnetic-Drive Utility Pump

Designed for High Volume Water Circulation This Efficient Pump can be used for Waterfalls, Skimmers and Large Water Features, Garden Ponds, Fountains, Koi Ponds

FEATURES

- Powerful magnetic drive
- Energy efficient, pays for itself in energy savings
- 18' power cord
- Completely submersible
- Clog-resistant filter screen
- 3 year limited warranty
- Fish safe because it's oil free
- Designed to maintain high flow at greater pumping height up to 19'2"
- Size of inlet 1-1/4" NPT
- Size of outlet 1-1/2" NPT

Protected by US Patents #5,967,744 #5,586,862 #6,309,188



WATERFALL AND SKIMMER PUMPS

Submersible Pumps for Waterfalls and Skimmers

The Pondmaster magnetic drive Waterfall/Skimmer Pumps are high-capacity pumps designed specifically for use in larger pond installations. These highly efficient units, featuring reliable ceramic bearings, deliver up to 3000 GPH, enough to create a dynamic, attractive waterfall or drive a medium- to large-size in-pond skimmer.

FEATURES

- Specifically designed for use with skimmers and waterfalls
- Powerful, efficient magnetic drive motor
- Fish safe because no oil is used
- Continuous duty operation
- Completely submersible
- Includes extra-large clog-resistant filter screen
- Back-flow check valve and 1-1/2" fittings supplied
- Extra long 20' power cord with grounded plug
- 1 year warranty



Item# 02650 - 3000 GPH Submersible Waterfall Pump

Max. Flow Rate	2000 GPH
Max. Pumping Height	14 Feet
Current	1.8A/150 Watts
Weight	9 lbs.

Item# 02660 - 3000 GPH Submersible Waterfall Pump

Max. Flow Rate	3000 GPH
Max. Pumping Height	15 Feet
Current	2.1A/235 Watts
Weight	11 lbs.



PRO XP HY-DRIVE PUMPS

Submersible/Inline Pumps for Water Gardens and Ponds

The **Pondmaster® Pro HY-Drive™** pumps are unique, high-capacity pumps designed specifically for use in larger pond installations. Next generation HY-Drive design combines the benefits of magnetic and direct-drive technologies to deliver an extremely quiet, energy efficient, low maintenance pumping source. Three models, delivering up to 4800 GPH, go easy on the wattage, yet are powerful enough to create a dynamic, attractive waterfall or drive a medium- to large-size skimmer. The heavy-duty polypropylene enclosure has a built-in carry handle and an effective molded-in debris screen. HY-Drive pumps can be positioned vertically or horizontally and are equally at home underwater as a submersible pump or as an inline, external pumping source. Available in 3200 GPH, 4000 GPH and 4800 GPH capacities.

FEATURES

- Powerful, efficient hybrid magnetic/direct drive motor
- Whisper-quiet operation
- Fish-safe because no oil is used
- Continuous duty operation
- Convenient carry handle
- Inline and submersible operation
- Includes extra-large clog-resistant filter screen
- Adapts to 1-1/2" threaded fittings with Back-flow check valve supplied
- Extra long 20' power cord with grounded plug

Item# 02680 - Pro 3200-XP HY-Drive Pump

Max. Pond Size	6,000 Gallons
Max. Flow Rate	3200 GPH
Max. Pumping Height	15 Feet
Current	1.5A/180 Watts
Weight	11 lbs.

Item# 02675 - Pro 4000-XP HY-Drive Pump

Max. Pond Size	8,000 Gallons
Max. Flow Rate	4000 GPH
Max. Pumping Height	17 Feet
Current	1.85A/220 Watts
Weight	13 lbs.

Item# 02670 - Pro 4800-XP HY-Drive Pump

Max. Pond Size	10,000 Gallons
Max. Flow Rate	4800 GPH
Max. Pumping Height	20 Feet
Current	2.15A/280 Watts
Weight	15 lbs.



Pump Housing



HY-Drive Pump

EXTERNAL PUMPS

The **Pondmaster X-Series** is designed for moderate- to high-volume pumping for both ponds and waterfalls. Despite their greater pumping capacity, these heavy-duty 115V pumps are extremely energy efficient, using less power than other comparable direct drive and magnetically driven pumps. Available in 5 models of either single speed or two speed configurations, they offer pumping capacities from 2500 GPH to 8400 GPH.

All X-Series pumps come standard with 6' power cords, back flow check valves, and 6" debris-limiting filter baskets. They are adaptable to standard 1-1/2" to 2" PVC pipe fittings. All pumps can be supplied with or without debris baskets. These pumps are designed for outdoor operation and do not require special protection other than standard winterization in colder climates.

Single Speed External Pumps

Item# 02775 - Model X-2520

Capacity	3100 GPH
Power	1/15 hp
Shut-off	10.9'
Amps	1.3
Watts	149.5
Weight	13 lbs.

Item# 02776 - Model X-4140

Capacity	4300 GPH
Power	1/6 hp
Shut-off	13.4'
Amps	1.7
Watts	195.5
Weight	18 lbs.

Item# 02777 - Model X-6120

Capacity	5350 GPH
Power	1/4 hp
Shut-off	15.5'
Amps	2.5
Watts	287.5
Weight	20 lbs.

Two Speed External Pumps

Item# 02778 - Model X-7020

	High	Low
Capacity	7020 GPH	2940 GPH
Power	1 hp	1 hp
Shut-Off	50.8'	11.6'
Amps	11.0	2.9
Watts	1265	333.5
Weight	26 lbs.	26 lbs.

Item# 02779 - Model X-8400

	High	Low
Capacity	8400 GPH	3600 GPH
Power	1.5 hp	1.5 hp
Shut-off	54.5'	13.9'
Amps	13.8	3.8
Watts	1587	437
Weight	28 lbs.	28 lbs.



2-Speed



ULTRAVIOLET CLARIFIERS

Introducing three new submersible Ultraviolet Clarifiers with the glowing monitor halo ring™ that immediately shows it's working. The ultraviolet light can be used completely submersed or can be placed outside of the pond. The black color makes it unobtrusive wherever it's used. Visible during the day and night from any angle, the soft blue halo shows it's working, but does not detract from the beauty of your pond. Designed to handle the clarifying needs of ponds up to 6,000 gallons. These lights offer great value, along with ease of use unsurpassed by any other ultraviolet sterilizer. Look for these submersible lights—they're what every pond needs. UL listed to U.S. and Canadian safety standards.

So good it's got a halo around it

Submersible Ultraviolet Clarifier - UPC 02910

Clarifier suitable for small ponds up to 1500 gallons using pumps up to 700 GPH

- Fully submersible unit's vortex flow design exposes water longer to ultraviolet light
- Glowing monitor halo ring™, visible from any angle immediately shows it's working
- Comes complete with 9000 hour, long life 10 watt lamp and water tight quartz sleeve
- Includes transformer and 18' grounded power cord
- Black color is unobtrusive whether used in or out of the water
- 3/4" barbed fitting for inlet and outlet

Submersible Ultraviolet Clarifier - UPC 02920

Similar to above but suitable for medium ponds up to 3000 gallons with pumps up to 1800 GPH

- Two glowing monitor halo rings™
- Complete with 9000 hour, long life 20 watt lamp and water tight quartz sleeve
- 1" barbed fitting for inlet and outlet

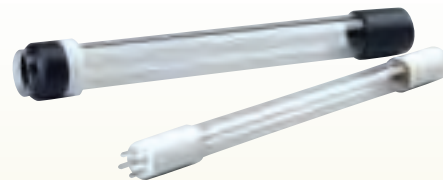
Submersible Ultraviolet Clarifier - UPC 02940

Similar to above but suitable for large ponds up to 6000 gallons with pumps up to 3000 GPH

- Three glowing monitor halo rings™
- Complete with 9000 hour, long life 40 watt lamp and water tight quartz sleeve
- 1-1/2" threaded fitting with 1-1/2" barbed elbow included



The unique vortex flow design of the Ultraviolet Clarifier increases water contact time with the ultraviolet light, while the slim diameter lamp allows the water to get closer to the intense UV rays.



Ultraviolet Lighting Replacement Parts Individually packed, shipped 4 per carton

UPC 12971	9000 hour, 10 watt lamp
UPC 12972	9000 hour, 20 watt lamp
UPC 12974	9000 hour, 40 watt lamp
UPC 12981	10 watt quartz sleeve
UPC 12982	20 watt quartz sleeve
UPC 12984	40 watt quartz sleeve



3-Way Master Valve shown with Swivel Fittings.

Available swivel fittings make connecting and removing flexible tubing easier and quicker.



PRESSURIZED FILTER SYSTEM

The **Pondmaster Pressurized Filter System** features a unique, manually operated agitator for dislodging over 90% of the pond residue that accumulates in the filter chamber. This patent pending feature is employed during the backwash and rinse operation. Available in 3 capacities, with or without an internally mounted, integrated UV filter light that eliminates green water.

FEATURES

- Agitator unlocks waste from media saving the amount of water discharged during backwash and rinse cycles
- Unique, patent pending 3-way master valve locks into "run", "rinse", and "backwash" settings
- Clear-vue inspection port to monitor water clarity during backwash/rinse operation
- Positive pressure lock ring to ensure a tight water seal
- Bio-Matrix™ Media affords maximum surface area for beneficial bacteria growth
- Heavy duty poly canister can be buried for hidden installation
- Integrated waterproof UV transformer
- Optional field-installed bottom drain available (not included)
- 1-1/2" threaded fittings, ball valves for waste line and swivel fitting included

P-4000 - UPC 05040

For use with pumps of 1000-4000 GPH
with 20' Max pumping height

- 5000 gallon capacity, without UV light

PUV-4000 - UPC 05045

For use with pumps of 1000-3000 GPH
with 20' Max pumping height

- 5000 gallon capacity, with UV light

P-2000 - UPC 05020

For use with pumps of 1000-2000 GPH
with 20' Max pumping height

- 2000 gallon capacity, without UV light

PUV-2000 - UPC 05025

For use with pumps of 1000-2000 GPH
with 20' Max pumping height

- 2000 gallon capacity, with UV light

P-1000 - UPC 05010

For use with pumps of 900-2000 GPH
with 20' Max pumping height

- 1000 gallon capacity, without UV light

PUV-1000 - UPC 05015

For use with pumps of 900-1500 GPH
with 20' Max pumping height

- 1000 gallon capacity, with UV light



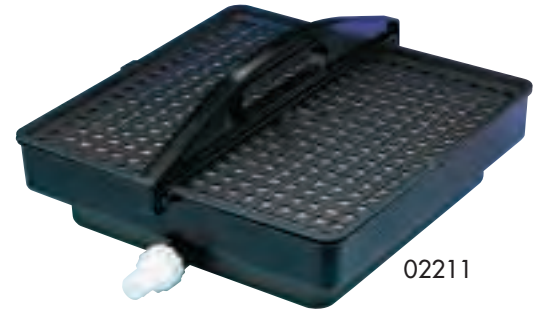
FILTRATION

These innovative low profile filters are designed to be unobtrusive in the bottom of the pond. Their large filter area means less frequent cleaning. More than one filter can be connected to a pump using a tee fitting. These filters offer mechanical, chemical, and biological filtration.

PM 1000 - UPC 02211

Suitable for small to medium ponds

- 12"x12" filter box with locking handle
- Carbon and polyester media for mechanical/biological/chemical filtration
- Connects to intake side of pump
- Complete with 3/4" I.D. tubing and fittings
- Connect more than one to a pump
- For in pond use only
- Packed 4 per master



PM 2000 - UPC 02200

Suitable for medium to large ponds

- 12"x 24" filter box with carrying handle
- Polyester and biological foam inserts, (suitable to hold other biological media)
- Connects to intake side of pump
- Complete with 1" I.D. tubing and fittings
- Connect more than one to a pump
- For in pond use only
- Packed 2 per master



2002 FLOATING SKIMMER/FILTER SYSTEM

The Pondmaster 2002 Floating Skimmer cleans water in two ways: The automatic self-adjusting skimmer basket removes debris from the pond surface quickly and completely, while the filter system eliminates suspended particles from below the water surface.

2002 Floating Skimmer/Filter System - UPC 02240

Suitable for ponds up to 2000 gallons

- Cleans Water 2 Ways, with a Skimmer and Filter
- Skims Debris Off Top, Middle & Bottom of the Pond
- Removes Pollen, Acorns, Leaves, etc
- For use with Pumps 1800-2400 Gallons per Hour
- No Liner Cutting, or Major Pond Alterations Necessary
- Convenient Handle for Taking Filter Out of Water
- Non Obtrusive Skimmer Floats just below Water Surface
- Allows for 6" of movement to accommodate water level fluctuation
- Aerates water which promotes fish health and activity Skimmer Basket
- Filter Rests on Bottom of Pond
- Quick and easy installation
- Packed 2 per master



Shown with optional blue polyester media and lava rock

Skimmer Basket

Floating Skimmer



POND KITS

A great way to start the excitement of water gardening. Offered as the easy and practical way to encourage sales by matching pumps with filters and including fountain heads with tubing and fittings where necessary. Can be used with rigid or flexible liners.

PMK 190 - UPC 02019

Suitable for small to medium ponds and containers

- 190 gph pump
- Deluxe filter system
- Bell fountain head
- Mechanical and biological filtration
- Packed 4 per master

PMK 1250 - UPC 02212

Suitable for small to medium ponds up to 600 gallons

- 250 gph pump
- Deluxe filter system (PM1000)
- Bell and adjustable fountain heads
- Tubing and fittings
- Mechanical, biological and chemical filtration
- Packed 2 per master

PMK 1350 - UPC 02213

Same as PMK 1250 but with a 350 gph pump
Suitable for medium ponds up to 800 gallons

PMK 1500 - UPC 02215

Same as PMK 1250 but with a 500 gph pump
Suitable for medium ponds up to 1,000 gallons

PMK 1700 - UPC 02217

Same as PMK 1250 but with a 700 gph pump
Suitable for medium to large ponds up to 1,250 gallons

Waterscaping should not be limited to in-ground ponds. Create additional sales by offering kits designed for use with patio ponds and tub gardens. Components are sized to work together ensuring customer satisfaction. Perfect for the individual who does not wish a full size pond. Especially suited for small areas or for indoors.

Promotional Pump and Fountain Kit - UPC 02273

Suitable for small barrels and containers

- 190 gph pump
- Bell fountain head
- Block foam filter
- Packed 4 per master



REPLACEMENT FILTER MEDIA

Pondmaster has an extensive line of replacement media carefully designed to maintain the effectiveness of the original filter. Coarse polyester and foam offer biological filtration, carbon impregnated media offers chemical and biological filtration, all offer mechanical filtration. Filtration helps support plant and fish life. Your customer will appreciate the genuine replacement.

UPC 11103 - Replacement Pads

For PM 200

- Carbon 3 Pak, Packed 12 per master

UPC 11104 - Replacement Pads

For PM 200

- Coarse Poly 2 pak, Packed 12 per master

UPC 12102 - Replacement Sleeve

For Universal Filter

- Poly Sleeve, Packed 12 per master

UPC 12105 - Replacement Sleeve

For Universal Filter

- Foam Sleeve, Packed 12 per master

UPC 12195 - Replacement Pads

For PMK 190

- Foam/Coarse Poly combo pak, Packed 6 per master

UPC 12201 - Replacement Pads

For PM 1000, PM 2000 †*

- Poly 3 pak, Packed 6 per master

UPC 12202 - Replacement Pads

For PM 1000, PM 2000*

- Carbon and coarse filter media, Foam large double pak, Packed 6 per master

UPC 12203 - Replacement Pads

For PM 1000, PM 2000*

- Carbon single pak, Packed 6 per master

UPC 12204 - Replacement Pads

For PM 1000, PM 2000*

- Coarse Poly single pak, Packed 6 per master

UPC 12205 - Replacement Pads

For PM 1000, PM 2000*

- Foam 2 pak, Packed 6 per master

UPC 12285 - Extra Large Pre-Filter

For all mid-range pumps, 250 gph thru 700 gph**

- Foam large single pak, Packed 6 per master

UPC 12305 - Foam Blocks

For PM 2000

- Foam 4 pak, Packed 6 per master

UPC 12505 - Replacement Pre-Filter

For all mid-range pumps, 250 gph thru 700 gph

- Sleeve small single pak, Packed 6 per master

UPC 12600 - Foam Block

For Promotional kits 02272, 02273, 02160

- Pre-filter single pak, Packed 6 per master

UPC 12605 - Pre-Filter

Pre-filter for MD 1, MD 1.5, MD 1.9

- Pre-filter 3 pak, Packed 6 per master

UPC 12730

For 950 gph, 1200 gph, and 1800 gph pumps

- Foam single pak, Packed 6 per master

UPC 12785 - Washable Pre-Filter

Fits 950-3600 gph pumps

- Molded Plastic, Packed 6 per master

UPC 12200 - Bio-Matrix Media (Not Shown)

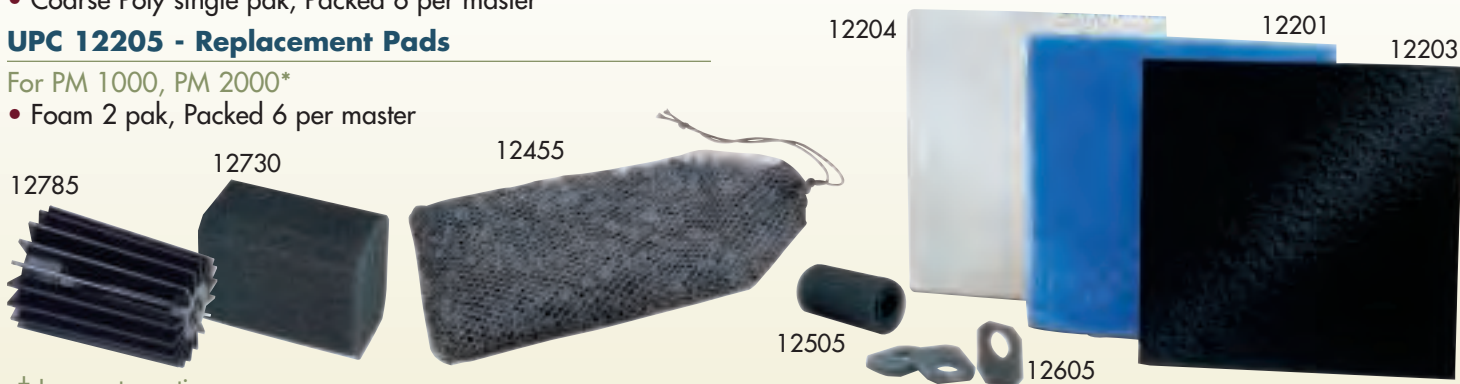
For Model 4000 Pressurized Filter

- 10 lb. mesh bag, Packed singly

UPC 12455 - Bio-Matrix Media

Fits Small & Medium Filter Falls

- 2 lb. mesh bag, Packed 4 per master



† Low cost one time use

* This filter media would also be a replacement for Pondmaster Kits 02212, 02213, 02215, and 02217

** This filter media would also be a replacement for Aquabelle Kits 02282 and 02285



POND ACCESSORIES

Flexible Black Tubing, Flexible Liners and Underlayment

Flexible Black Tubing

Thick walled tubing is kink resistant, the black color helps prevent the formation of algae.

UPC 12138	3/8" I.D. x 20' roll , packed 6 per master
UPC 12012	1/2" I.D. x 10' roll , packed 6 per master
UPC 12158	5/8" I.D. x 20' roll , packed 6 per master
UPC 12034	3/4" I.D. x 100' roll , individually packed
UPC 12039	3/8" I.D. x 100' roll , individually packed
UPC 12013	1/2" I.D. x 100' roll , individually packed
UPC 12035	3/4" I.D. x 50' roll , individually packed
UPC 12050	1" I.D. x 50' roll , individually packed

Corrugated Black Tubing

Tubing is reinforced on the outside to resist kinking. Smooth on the inside to speed flow. All designed to accommodate barbed fittings.

UPC 12402	1/2" I.D. x 100' roll , packed 1 per master
UPC 12403	3/4" I.D. x 100' roll , packed 1 per master
UPC 12410	1" I.D. x 100' roll , packed 1 per master
UPC 12411	1 1/4" I.D. x 100' roll , packed 1 per master
UPC 12412	1 1/2" I.D. x 50' roll , packed 1 per master
UPC 12420	2" I.D. x 50' roll , packed 1 per master



45 Mil EDPM Synthetic Rubber Flexible Liners

For larger ponds and many years of use. Packed Individually.

UPC 02101	10'x10' for ponds up to 400 gallons
UPC 02106	10'x15' for ponds up to 750 gallons
UPC 02105	12'x15' for ponds up to 950 gallons
UPC 02108	15'x20' for ponds up to 1950 gallons
UPC 02109	20'x25' for ponds up to 3750 gallons

20 Mil PVC Flexible Liners

Easier to install, more flexible for smaller ponds.

UPC 02111	5'x5' for small barrels <ul style="list-style-type: none">• Packed 6 per master
UPC 02122	8'x12' for ponds up to 350 gallons <ul style="list-style-type: none">• Packed 2 per master
UPC 02123	10'x12' for ponds up to 550 gallons <ul style="list-style-type: none">• Packed 2 per master

Roll Liners, 20 Mil PVC and 45 Mil EDPM

Larger rolls of flexible liners are available to accommodate custom size ponds.

Item 02112	12'x100' 20 mil PVC liner
Item 02118	18'x120' 20 mil PVC liner
Item 02110	10'x100' 45 mil EDPM liner
Item 02120	20'x100' 45 mil EDPM liner

Underlayment - UPC 02125

Liner protection, will not rot or mildew, polypropylene and polyester blend material.

15'x6' padding to protect liner from roots and stones <ul style="list-style-type: none">• Packed 6 per master
--

POND ACCESSORIES

Fountain Head Kits and Submersible Lighting Kits

Variable Fountain Head Kit - UPC 02077

Suitable for Pondmaster 190-700 gph pumps

- Three distinct adjustable patterns, High and Low Fleur-de-lis, and Lotus designs
- Includes two 7" extensions and pump adapter
- Packed 6 per master

Bell Fountain Head Kit - UPC 02088

Suitable for Pondmaster 250-700 gph pumps

- Large adjustable Bell (mushroom) pattern
- Includes two 7" extensions and pump adapter
- Packed 6 per master

Mini Bell Fountain Head Kit - UPC 02089

Suitable for Pondmaster 80-190 gph pumps

- Small adjustable Bell (mushroom) pattern
- Includes two 7" extensions
- Packed 6 per master

Bubbler Fountain Head Kit - UPC 02095

For Pondmaster 9.5, 12, 18, 24 and 36
Suitable for Pondmaster 950-2400 gph pumps

- Large adjustable bubbling/foaming fountain head
- Includes 2 PVC extension stems with 3/4" pipe threads, and 2 couplings with 3/4" pipe threads
- Packed 6 per master

Extension for Bubbler Kit - UPC 12099

For raising the Bubbler Fountain Head

- Includes 2 PVC extension stems with 3/4" Pipe threads, and 1 coupling with 3/4" pipe threads that are used to raise the fountain head
- Packed 6 per master

Submersible Light Kit - UPC 02155

Suitable for all pond sizes

- 18' power cord with low voltage transformer
- 20 watt halogen light
- Heat resistant lens
- Sturdy support base
- Four interchangeable color lenses
- Operates in or out of water
- Packed 6 per master

Submersible Light Kit - UPC 02183 (Not Shown)

3 Light Kit Suitable for all pond sizes

- 18' power cord with low voltage transformer
- 20 watt halogen light
- Heat resistant lens
- Sturdy support base
- Four interchangeable color lenses
- Operates in or out of water
- Packed 6 per master

Replacement Halogen Bulb - UPC 12805

- Blister carded, packed 6 per master
- 20 Watts
- 12 Volts
- Average life 3000 hours
- Includes "O" ring



12805



02095



02088



02077



02089



02155



POND ACCESSORIES

Air Pumps, Pond Heaters and Pond Netting

The **Pondmaster AP-Series** air pumps have been designed to satisfy the requirements of a multitude of water-related applications. All AP-Series air pumps operate on standard 110V electric and come with a 6' power cord. The non-oil lubricated motor is designed to operate efficiently and save energy. For outdoor applications, it is recommended that the unit be enclosed to protect it from the elements.



USES

- Oxygenating ponds and aquariums for a cleaner aquatic environment
- Promoting healthier fish and aquatic plant life
- Increasing the breakdown of fish waste
- Preventing icing-over in outdoor ponds
- Driving protein skimmers

AP-40 - UPC 04540

Air Volume	2900 cu.in/min
Max. Water Depth	10'
Noise Level	40 dba
Watts	40
Weight	9 lbs
Tubing (not included)	5/8" I.D.
Pressure	5.89 psi

AP-60 - UPC 04560

Air Volume	5500 cu.in/min
Max. Water Depth	9.6'
Noise Level	45 dba
Watts	50
Weight	14 lbs
Tubing (not included)	3/4" I.D.
Pressure	5.66 psi

AP-100 - UPC 04580

Air Volume	9150 cu.in/min
Max. Water Depth	11.5'
Noise Level	45 dba
Watts	100
Weight	16.5 lbs
Tubing (not included)	3/4" I.D.
Pressure	6.53 psi

Pond De-Icer - UPC 02175

The Floating Winter Pond De-Icer is for use in those colder locations where typical winter temperatures result in significant or long-term icing of pond surfaces.

- 120 Watts of heating power
- Extremely energy efficient
- Thermostatic control to reduce heating time & save electricity
- Internal electronics epoxy-sealed for watertight protection
- 18' grounded power cord
- Made from rugged, high impact ABS plastic
- 1-year limited warranty
- Will not harm flexible liners or pre-formed ponds



Pond Netting

Catches falling leaves and protects fish from predators.

UPC 02307 7'x10' • Packed 18 per master

UPC 02314 4'x14' • Packed 12 per master

UPC 02328 28'x28' • Packed 6 per master



WATER TREATMENTS

Pondmaster Water Treatments are an attractively packaged line of pond care products. Special formulas promote the health and beauty of the pond. Water quality is addressed by an extensive array of treatments, pH balance is easily tested and maintained. Fertilizer Tabs are specially formulated for aquatic plants.

Pondmaster Chloramine Remover - UPC 02820

- Safely removes chlorine, chloramine, and heavy metals
- Helps lower toxic ammonia levels
- Reduces fish stress
- 16 oz. bottle treats 960 gallons, packed 6 per master

Pondmaster Super Clarifier - UPC 02825

- Clears cloudy water fast
- Clears cloudy water conditions in pond water that has been agitated by adding water, cleaning or rain showers
- Settles suspended clays and silts by clumping them together for removal by siphoning or filtration
- 16 oz. bottle treats 960 gallons, packed 6 per master

Pondmaster Waste Remover - UPC 02830

- Establishes and maintains biological filter
- Breaks down harmful organic sludge buildup that can cause ammonia and nitrite poisoning, low oxygen levels, cloudy water and low pH
- 16 oz. bottle treats 960 gallons, packed 6 per master

Pondmaster pH Lower - UPC 02815

- Safely lowers pH in hard water areas
- Decreases alkalinity, increases acidity
- Helps neutralize the alkalinity of new cement ponds
- 16 oz. bottle treats 1,920 gallons, packed 6 per master

Pondmaster Pond Tint - UPC 02839

- Colors water to a light blue tint
- Fish safe, inhibits algae growth
- 8 oz. bottle treats 8,000 gallons, packed 12 per master

Pondmaster Oxy Scrub - UPC 02863

- Oxygen-powered formula
- Fish Safe in limited use
- 2 lb. container, Packed 6 per master

Pondmaster Pond Fix with Activated Barley

UPC 02865 9.6 oz. jar treats 6,000 gallons

UPC 02870 2.5 lb. jar treats 20,000 gallons

- Restores balance to pond environment
- Cleans ponds by breaking down organic materials that create problems around waterfalls, streams, rocks, plant pots, pumps, and filtration systems
- Reduces excessive nutrient content that contributes to organic growth
- Enhances filtration systems
- 3 year shelf life
- Packed 6 per master

Pondmaster pH Buffer - UPC 02860

- Stabilizes pH, maintains steady, safe pH levels for your pond year round
- Essential to convert nitrite to nitrate
- 20 oz. jar treats 5,000 gallons, packed 6 per master

Pondmaster Fertilizer Tabs - UPC 02835

- Concentrated 10-14-8 formula maximizes blooms and foliage
- 9.5 oz. bottle contains 50 tablets, packed 6 per master

Pondmaster Pond Test Strips - UPC 02810

- In one minute test for pH, nitrates, buffering capacity
- Contains 25 test strips and clear testing vial
- Packed 6 per master





FISH FOOD

Integra Fish Food: A floating pellet designed to ensure the health of koi and other pond fish. This properly balanced fish food activates body mechanisms to grow, maintain and replace damaged worn-out tissue. It provides for energy storage during hibernation in the form of layers of fat.

Integra 1 lb. Fish Food - UPC 55010

- 1 lb. packed, 6 per master

Integra 2 lb. Fish Food - UPC 55020

- 2 lb. packed, 4 per master

Integra 4 lb. Fish Food - UPC 55040

- 4 lb. packed, 4 per master



Sho Koi Impact Fish Food: The only Koi food with Optimun®, a biogenic performance enhancer, for rapid immune response to disease causing organisms. Contains no artificial coloring or dyes.

Sho Koi Impact 2 lb. Fish Food - UPC 55120

- 2 lb. packed, 4 per master

Sho Koi Impact 4 lb. Fish Food - UPC 55140

- 4 lb. packed, 4 per master

Sho Gold Fish Food - UPC 55215

- 1.5 lb. packed 6 per master
- Sinking food



GROUND FAULT INTERRUPTER

Ground Fault Circuit Interrupter - UPC 02605

- Black plug-in, with a single female outlet
- Attractively boxed, UL & CSA listed
- Packed 6 per master



FITTINGS

Individually packed in a poly bag with header, shipped 12 per carton

UPC 02099

- DV99 Adjustable diverter
- 1/2" NPT male with one
- 1/2" NPT fem. coupling

UPC 02090

- DV90 Adjustable diverter
- 3/4" NPT male with one
- 3/4" NPT fem. coupling

UPC 02092

- DV92 Adjustable diverter
- 1" NPT male with one
- 1" NPT fem. coupling

UPC 12153

- F153 3/8" NPT male x 3/4" barb

UPC 12155

- F155 1/2" NPT male x 3/4" barb

UPC 12255

- F225 1/2" NPT male x 3/8" barb

UPC 12160

- F160 3/4" hose barb tee

UPC 12175

- F175 1/2" NPT fem. x 1/2" fem. coup.

UPC 12180

- F180 3/4" NPT fem. x 3/4" fem. coup.

UPC 12185

- F185 garden hose thread swivel x 3/4" barb

UPC 12250

- F250 1/2" NPT fem.x 1/2" barb

UPC 12705

- F705 1/2" hose barb coup.

UPC 12710

- F710 3/4" hose barb coup.

UPC 12715

- F715 1" hose barb coup.

UPC 12720

- F720 3/4" fem.x 1" barb

UPC 12721

- F721 3/4" male.x 1" barb

UPC 12725

- F725 3/4" fem.x 3/4" barb

UPC 12732

- Replacement pump cover for 9.5

UPC 12810

- 1/2" Plug

UPC 12811

- 3/4" Plug

UPC 12812

- 3/8" barb x 1/2" FIPT reducing elbow

UPC 12816

- 1/2" barb x 1/2" barb x 1/2" barb tee

UPC 12817

- 1" barb x 1" barb x 1" barb tee

UPC 12818

- 3/4" barb x 3/4" barb x 1/2" barb. tee

UPC 12819

- 1" barb x 3/4" barb x 1/2" barb tee

UPC 12825

- 3/8" barb x 3/8" barb x 1/8" FIPT tee

UPC 12826

- 3/4" barb x 3/4" barb x 1/2" FIPT tee

UPC 12827

- 1/2" barb x 1/2" barb x 1/2" FIPT tee

UPC 12828

- 3/4" barb x 1/2" barb x 1/2" FIPT tee

UPC 12830

- 1" barb x 1" FIPT

UPC 12835

- 3/4" b. x 3/4" b. x 1/2" b. x 1/2" b. cross

UPC 12836

- 1" b. x 1" b.x 1/2" b. x 1/2" b. cross

UPC 12837

- 1" b. x 1" b.x 3/4" b. x 3/4" b. cross

UPC 12840

- 3/4" MIPT x 1/2" barb

UPC 12841

- 1/2" MIPT x 1/4" barb

UPC 12850

- 3/4" barb x 1/2" barb reducing coupling

UPC 12851

- 1" barb x 1/2" barb reducing coupling

UPC 12875

- 1" barb x 3/4" barb reducing coupling

UPC 12855

- 1/2" b. x 1/2" b.x 1/2" b. x 1/2" b. cross

UPC 12856

- 3/4" b. x 3/4" b.x 3/4" b. x 3/4" b. cross

UPC 12857

- 1" b. x 1" b.x 1" b. x 1" b. cross

UPC 12860

- 1/2" barb x 1/2" barb elbow

UPC 12861

- 3/4" barb x 1/2" reducing elbow

UPC 12862

- 1" barb x 3/4" barb reducing elbow

UPC 12863

- 1/2" barb x 1/2" FIPT combo elbow

UPC 12864

- 1-1/4" barb x 1-1/4" FIPT combo elbow

UPC 12885

- 1/2" barb x 3/8" barb

UPC 12890

- 5/8" barb x 1/2" barb

UPC 12880

- 1" barb x 1-1/2" barb

UPC 12893

- 3/4" FIPT x 1/2" FIPT

UPC 12894

- 1" FIPT x 3/4" FIPT



BALL VALVES/CHECK VALVES

Individually boxed, shipped 12 per carton, except where noted

UPC 12905

- 1/2" threaded ball valve

UPC 12910

- 3/4" threaded ball valve

UPC 12915

- 1" threaded ball valve

UPC 12920

- 1-1/4" threaded ball valve
- 6 per carton

UPC 12925

- 1 1/2" socket ball valve
- 6 per carton

UPC 12930

- 2" socket ball valve
- 6 per carton

UPC 12922

- 1 1/4" check valve hose x hose

UPC 12932

- 2" check valve hose x hose
- 6 per carton



NEW REPLACEMENT IMPELLERS

Packed 6 per master and individually blister packed or boxed

UPC 12650

- For mini pump, UPC 02510
- Individually blister packed

UPC 11655

- For MD1 pump, UPC 02520
- Individually blister packed

UPC 12655

- For MD1.5 pump, UPC 02521
- Individually blister packed

UPC 12955

- For MD1.9 pump, UPC 02519
- Individually blister packed

UPC 12485

- For statuary pump, UPC 02505

UPC 12490

- For statuary pumps,
UPC 02506, UPC 02507

UPC 12495

- For statuary pump, UPC 02508

UPC 12555

- For Pumps:
MD 2 pump, UPC 02512
PM 2 pump, UPC 02522

UPC 12575

- For Pumps:
MD 3 pump, UPC 02513
PM 3 pump, UPC 02523
MD 5 pump, UPC 02515
PM 5 pump, UPC 02525

UPC 12585

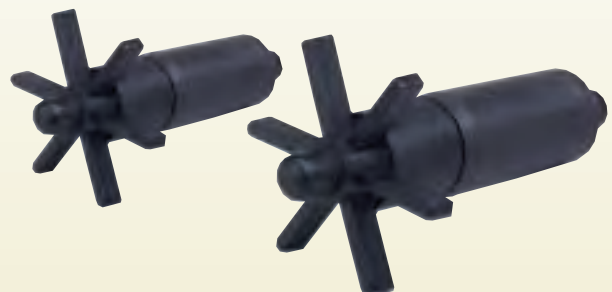
- For Pumps:
MD 7 pump, UPC 02517
PM 7 pump, UPC 02527

UPC 12745

- For Pumps:
MD 9.5 pump, UPC 02710
PM 9.5 pump, UPC 02720

UPC 12770

- For all HY-Drive pumps



PUMPING FLOW VERSUS PUMPING HEIGHT

Use this chart to determine the proper size pump for a pond with a waterfall. The height of the waterfall above the surface of the pond is the Head Height. To reduce the frictional losses of hose and filter always use the largest diameter hose possible.

Pump Type	PM Item#	MD Item#	Maximum Flow	Flow at 1'	Flow at 2'	Flow at 3'	Flow at 4'	Flow at 5'	Flow at 6'	Flow at 7'	Flow at 8'	Flow at 9'	Flow at 10'	Shut Off Feet	
Magnetic Drives	-	02501	35	22	15	-	-	-	-	-	-	-	-	2'	
	-	02510	75	40	15	-	-	-	-	-	-	-	-	2'	
	-	02520	80	42	17	-	-	-	-	-	-	-	-	2'6"	
	-	02521	140	120	80	60	40	30	-	-	-	-	-	6'	
	-	02519	190	174	167	143	125	93	68	36	-	-	-	7'	
	02522	02512	250	270	225	204	150	78	29	-	-	-	-	7'	
	02523	02513	350	404	384	336	294	270	192	168	96	40	-	10'6"	
	02525	02515	500	480	474	426	378	324	276	204	132	72	-	10'6"	
	02527	02517	700	528	492	462	426	390	336	288	210	132	96	11'8"	
	02720	02710	950	780	762	738	714	684	654	612	558	540	450	12'10"	
	02722	02712	1200	972	942	882	822	798	756	714	660	564	588	13'6"	
	02728	02718	1800	1152	1092	1032	978	924	840	828	792	744	720	15'6"	
	02750	02740	2400	1908	1782	1710	1590	1632	1446	1344	1260	1182	1110	17'6"	
	02755	02745	3600	2400	2334	2064	2046	1926	1980	1842	1818	1782	1668	18'4"	
	-	02760	5000	2664	2616	2538	2448	2316	2310	2298	2190	2076	2016	19'2"	
Hy-Drives	Pro 3200-XP	02680	3150	2658	2424	2370	2076	1944	1812	1632	1356	1098	846	12'	
	Pro 4000-XP	02675	4000	2880	2724	2604	2484	2226	2088	1926	1764	1560	1260	14'	
	Pro 4800-XP	02670	4800	3030	3000	2736	2580	2460	2256	2076	1950	1800	1608	15'	
Waterfall Pumps	-	02650	2000	1386	1416	1374	1374	1086	1026	942	828	744	654	13'2"	
	-	02660	3000	2022	1938	1866	1782	1644	1560	1470	1356	1242	1110	14'6"	
Clam Shells	-	02620	75	45	15	3	-	-	-	-	-	-	-	2'6"	
		02621	110	100	85	67	40	-	-	-	-	-	-	4'6"	
		02622	150	136	125	100	75	40	-	-	-	-	-	6'	
		02615	260	260	235	210	160	80	35	-	-	-	-	7'	
		02616	375	395	384	336	294	270	192	168	96	40	25	11'	
		02617	515	500	474	426	378	324	276	204	132	72	35	11'	
		02618	750	590	492	462	426	390	336	288	210	132	96	12'5"	
Pump Type	Model#	UPC	Maximum Flow	Flow at 5'	Flow at 10'	Flow at 15'	Flow at 20'	Flow at 25'	Flow at 30'	Flow at 35'	Flow at 40'	Flow at 45'	Flow at 50'	Shut Off Feet	
X-Series	Model X-2520	02775	2520	2450	1050	-	-	-	-	-	-	-	-	11'2"	
	Model X-4140	02776	4140	4050	3050	-	-	-	-	-	-	-	-	14'0"	
	Model X-6120	02777	6120	5150	4750	2150	-	-	-	-	-	-	-	15'4"	
	Model X-7020	02778 Low		2940	2940	1950	-	-	-	-	-	-	-	-	11'8"
		02778 High		7020	7020	6300	6250	5750	5250	4950	4500	3950	3250	-	50'
	Model X-8400	02779 Low		3600	3600	2650	-	-	-	-	-	-	-	-	14'
02779 High			8400	8400	7950	7600	7500	7000	6650	6200	5550	4950	4000	54'6"	

PUMP DATA CHART

ITEM#	DESCRIPTION	MAX PUMP HEIGHT (SHUT OFF)	GPH AT 1FT	POWER CORD LENGTH	MAXIMUM WATTAGE/AMPS	INLET SIZE OUTLET SIZE	FEATURES	PRE FILTER	PUMP SIZE* L X W X H
02501	SP 35	2'	22	6'	5.0/0.1	No Thread 1/2" Hose	Adjustable Flow	No	1.9x1.4x1.69
02510	TT 75	2'	40	6'	5.0/0.1	No Thread 5/16 or 1/2" Hose	Adjustable Flow	No	2.5x1.8x2.8
02520	Statuary 1	3'	42	6'	6.0/0.14	No Thread 3/8 or 1/2" Hose	Adjustable Flow	Yes	2.9x2.2x2.7
02621	Statuary 1.1	4'	100	6'	9.0/0.17	No Thread 3/8 or 1/2" Hose	Adjustable Flow	Yes	3x2.2x3
02521	Statuary 1.5	6'	120	6'	9.0/0.17	No Thread 3/8 or 1/2" Hose	Adjustable Flow	Yes	2.9x2.2x2.7
02519	Statuary 1.9	7'	174	10'	19/0.3	No Thread 1/4" NPT, 3/8" or 1/2" Hose	Adjustable Flow	Yes	3.5x2.2x3.2
02522	PM 250	7'	250	18'	24/0.3	1/2" Hose Barb 1/2" NPT	Use Inline or Submerged	Yes	5.0x3.8x4.2
02523	PM 350	10.5'	350	18'	35/0.6	1/2" Hose Barb 1/2" NPT	Use Inline or Submerged	Yes	5.0x3.8x4.2
02525	PM 500	10.5'	450	18'	45/0.8	1/2" Hose Barb 1/2" NPT	Use Inline or Submerged	Yes	5.0x3.8x4.2
02527	PM 700	12.5'	650	18'	60/1.3	1/2" Hose Barb 1/2" NPT	Use Inline or Submerged	Yes	5.0x3.8x4.2
02720	PM 950	14'	950	18'	93/1.33	3/4" NPT	Use Inline or Submerged	Yes	5.5x3.4x5
02722	PM 1200	15'	1200	18'	110/1.5	3/4" NPT	Use Inline or Submerged	Yes	6.4x4.5x4.6
02728	PM 1800	20'	1800	18'	145/1.5	3/4" NPT	Use Inline or Submerged	Yes	6.4x4.5x4.6
02750	PM 2400	20'	2400	18'	265/3.0	1" NPT	Use Inline or Submerged	Yes	7.5x4.0x6.0
02755	PM 3600	24'	3600	18'	380/3.0	1" NPT	Use Inline or Submerged	Yes	7.5x4.0x6.0
02760	PM 5000	28'	5000	18'	475/4.1	1-1/4" NPT 1-1/2" NPT	Use Inline or Submerged	Yes	12.0x7.0x8.0
02512	MD 2	7'	250	10'	24/0.3	1/2" NPT	Use Inline or Submerged	Yes	5.0x3.8x4.2
02513	MD 3	10.5'	350	10'	35/0.6	1/2" NPT	Use Inline or Submerged	Yes	5.0x3.8x4.2
02515	MD 5	10.5'	450	10'	45/0.8	1/2" NPT	Use Inline or Submerged	Yes	5.0x3.8x4.2
02517	MD 7	12.5'	650	10'	70/1.3	1/2" NPT	Use Inline or Submerged	Yes	5.0x3.8x4.2
02710	MD 9.5	14'	950	10'	93/1.33	3/4" NPT	Use Inline or Submerged	Yes	5.5x3.4x5
02712	MD 12	15'	1200	10'	110/1.5	3/4" NPT	Use Inline or Submerged	Yes	6.4x4.5x4.6
02718	MD 18	20'	1800	10'	145/1.5	3/4" NPT	Use Inline or Submerged	Yes	6.4x4.5x4.6
02740	MD 24	20'	2400	10'	265/3.0	1" NPT	Use Inline or Submerged	Yes	7.5x4.0x6.0
02745	MD 36	24'	3600	10'	380/3.0	1" NPT	Use Inline or Submerged	Yes	7.5x4.0x6.0

The Max Pump Height x .454 = PSI Gallons x 3.8 = Liters Cubic Feet x 7.5 = Gallons

* Dimensions are in inches and do not include any allowances for hose, fittings, cord, or prefilter
Specifications subject to change without notice

ProLine™ By PONDMASTER®

Pondmaster™ is one of the oldest and most respected names in water garden and pond products – preferred by professionals and consumers alike. With the dynamic growth in outdoor water installations, there has been an equally dynamic growth in the number of professional installers. This increased growth has increased competition within the industry and, consequently a demand for better, more reliable, and more competitively priced products.

ProLine™ by Pondmaster is our answer to this demand. We have closely examined each category of product used in building a reliable water feature – pumps, filters, skimmers, bio-falls, etc. Where necessary, we have re-engineered or redesigned units for ease of assembly and installation. We have increased pumping capacities to accommodate larger installations. We have introduced new products for emerging applications, like continuous, self-contained falls and streams.

This catalog represents the core of our expanding ProLine product offerings. We are continually working on additions and improvements to help the professional do better, faster and more reliable installations. If you are looking for a product and do not see it here, contact us and we'll let you know where it is in our development schedule.





PRO SKIMMERS

The **Pro 5000 Skimmer** removes Surface Debris For ponds with a surface area up to 500 sq. ft.

FEATURES

- Strong cylindrical shaped housing that resists side cave ins
- Made from heavy duty high density polyethylene
- Anchoring feature holds skimmer in place when buried
- Large adjustable 11" x 7" weir door for maximum skimming with fish safe wings
- Can fit up to two pumps to feed two waterfalls from the same skimmer
- Large capacity clog resistant leaf basket that keeps debris away from the pump
- Accommodates most pumps up to 8,000 GPH
- Maximum bulkhead placement versatility with fittings for 1-1/2" and 2" flex tubing
- Reinforced skimmer lid, strong enough to stand on
- For maximum cleaning, use with Pondmaster Pressurized Filter System

Pro 5000 Skimmer - UPC 02475

Unit Dimensions	26" L x 24" W x 23" H
Weir Size Opening	11" x 7"
Maximum Pond Area	800 Sq. Ft.
Maximum Pump Capacity	8,000 GPH
Weight	18 lbs.



Removable Debris Basket

PRO BIOLOGICAL FILTER AND FALLS

The **Pro Biological Filter and Falls** are a Complete Waterfall Filtration System. They filter and aerate the water while creating the beauty of a waterfall or stream.

FEATURES

- Extra-wide spillway for greater water aeration
- Open swirl chamber for even and efficient water flow through the filter media
- 3 separate filtering actions for super-clean water
- Easily buried in ground to hide canister from sight
- Extra-large capacity designed to increase biological filtration
- Clean once a year under normal use

Pro 3000 Filter and Falls - UPC 02480

Unit Dimensions	18" L x 10" W x 10" H
Waterfall width	16" Opening
Container Capacity	4 Gallons
Maximum Pump Flow	3000 GPH
Weight	3 lbs.



02480

Pro 5000 Filter and Falls - UPC 02490

Unit Dimensions	18" L x 18" W x 20" H
Waterfall width	18" Opening
Container Capacity	12 Gallons
Maximum Pump Flow	5000 GPH
Weight	10 lbs.



02490



PRO 4800 PUMP VAULT

The ProLine™ Pro 4800 Pump Vault is a sturdy, large capacity housing used in self-contained waterfalls and streams. It will accommodate submersible pumps up to 5000 GPH. A self-contained waterfall or stream is easy to install and even easier to maintain – and best of all it's pet- and child-safe. The ProLine Pro 4800 Pump Vault is the basis for creating a long-lasting, trouble-free installation.

FEATURES

- Acts as a large pre-filter to protect submerged pump intakes from getting clogged with gravel or debris
- Built of rugged, weather-resistant Polyethylene plastic
- Can be safely buried below grade
- Reinforced lid withstands the weight of gravel and stones
- Works great for fountains or any water gardening feature
- Port for mounting auto fill valve

Pro 4800 Pump Vault - UPC 02460

Unit Dimensions	23" L x 23" W x 25" H
Weight	16 lbs.



02460

POND KITS

Save valuable time with a pre-assorted pond kit. They are available in a number of intelligent configurations designed to make installations quick and easy for ponds from 1000 to 5000 gallons. Quality made, compatible components always "fit together", drastically reducing labor and costly call-backs. Contact your distributor for a complete listing of the various kits that are available for "off-the-shelf", immediate delivery directly to the job site.



Note: These are just examples of the different products that may be used in the ProLine Pond Kits. Products may vary in actual Kits.